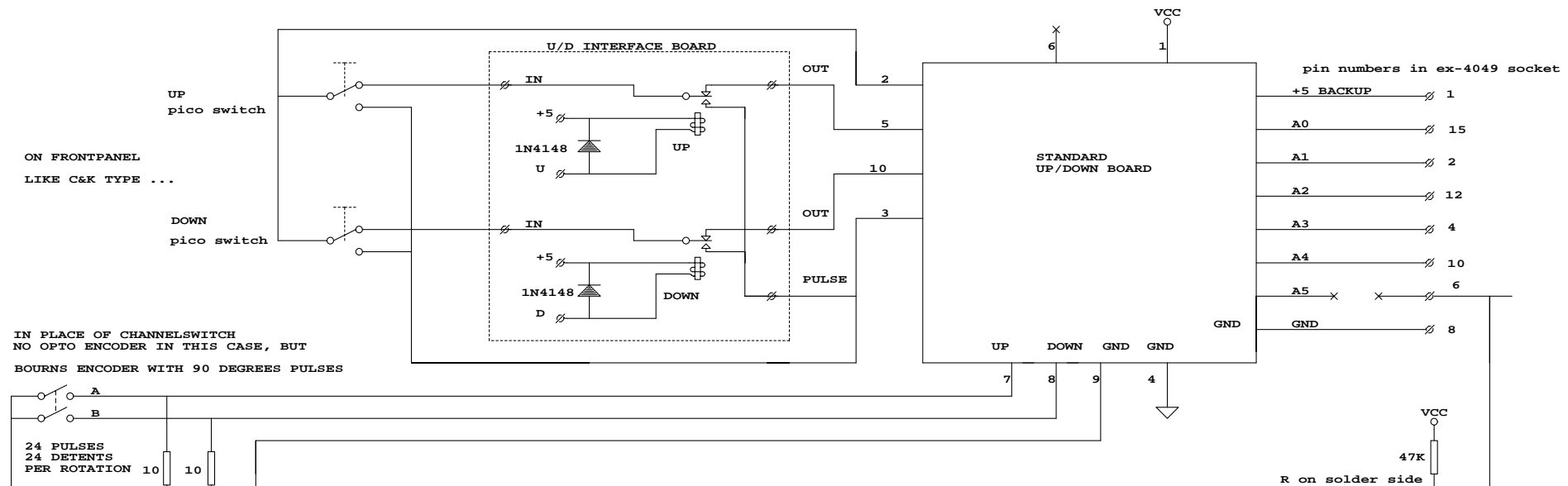
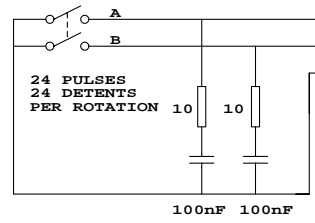


+5 U/D BOARD TO ORIGINAL 7805



ON FRONTPANEL
LIKE C&K TYPE ...

IN PLACE OF CHANNELSWITCH
NO OPTO ENCODER IN THIS CASE, BUT
BOURNS ENCODER WITH 90 DEGREES PULSES



EXTRA ON U/D PCB:
CONTACT DENDER SUPPRESSION
GLITCHES FROM A IN B AND V.V.

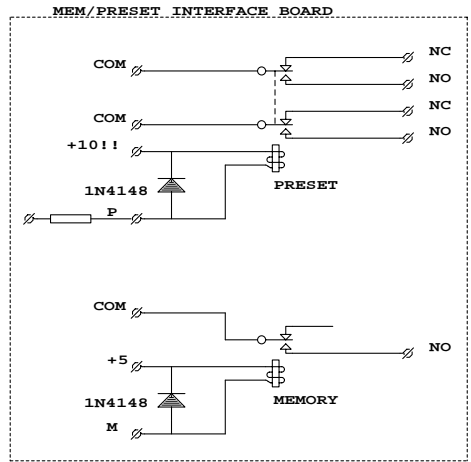
5 VOLT PRESET RELAY MOSTLY
USES TOO MUCH ENERGY.
WITH A SERIES R REDUCING THIS A BIT

OR AN ADAPTED 12 V RELAY, MADE
SUITABLE FOR USE ON 7 - 8 VOLTS
OR USE A SELECTED 6 VOLT RELAY WITH ADD-ON R

USED IN THIS CASE FOR PRESET: 5 V RELAY 120 OHM (=VERY LOW!)
AROMAT - DS2YE-S-DC5V
PLUS SERIES R OF 100 - 150 OHM (FOR USE ON 8,5 TO 9 VOLTS)

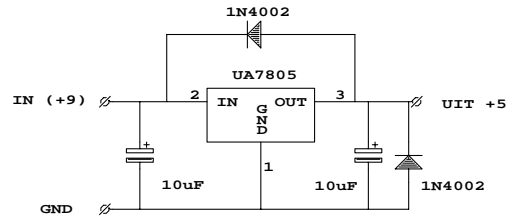
OTHER 3 RELAYS: SIEMENS SINGLE TOGGLE - 5VOLT - 324 OHM
V23040-A0001-B201

CAUSED BY MAINS FLUCTUATIONS (AND 100HZ RIPPLE) WITH PRESET ON/OFF
TAPPING, U_d LEVEL DETECTOR (TR-2) CAN START OSCILLATING!!
100 HZ RIPPLE BECOMES A 5Vpp SQUAREWAVE!!
IN THAT CASE:
DON'T SET THE NRD-518 ON 240 VOLTS, BUT SIMPLY ON 220VOLTS
CHANGE V_{cc} LEVEL DETECTOR CIRCUIT AND ADD SOME HYSTERESIS!!
SEE THEREFORE THE NRD-518 CIRCUIT ADAPTION



DOUBLE PRESET CONTACT IN PLACE OF EXISTING
PRESET SWITCH, ONE NORMALLY OPEN CONTACT
FROM EXISTING SWITCH TO I/O BUFFER BOARD
MEMORY CONTACT PLAIN PARALLEL TO EXISTING SWITCH

TO INPUT
BUFFER BOARD
A6
A7



EXTRA (SAFETY) +5 UNIT ON BACK PANEL FOR:
I/O INTERFACE
EXTERNAL UP/DOWN UNIT
RELAY BOARDS

BELONGS TO UP DOWN REBUILD NDH-518		
Title		
CONNECTIONS BETWEEN DIFFERENT CHANGES		
Size	Document Number	REV
B	made by W. Geeraert PELABR	
Date:	January 12, 2000	Sheet 3 of 5