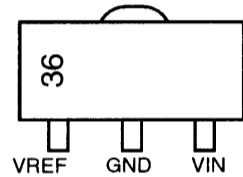
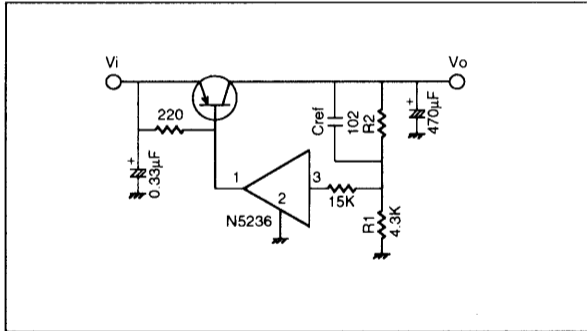


### 3) M5236ML (XA0104) Voltage Regulator

#### Test Circuit

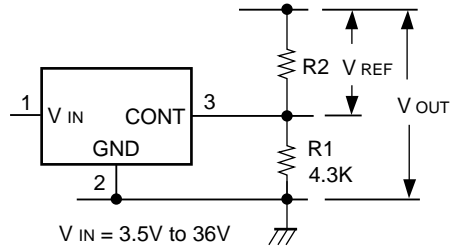
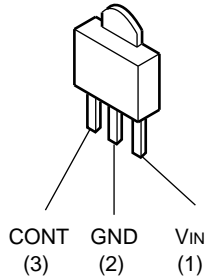


M5236ML

M5236ML  
IL00

\*\*\*\*\*

## ADJUSTABLE VOLTAGE REGULATOR



$$V_{IN} = 3.5V \text{ to } 36V$$

$$V_{OUT} = 1.5V \text{ to } 33V$$

$$V_{OUT} = V_{REF} \left(1 + \frac{R_2}{R_1}\right) \cong 1.26V \left(1 + \frac{R_2}{4.3}\right) (V)$$

$$(R_1 = 4.3K\Omega, V_{REF} \cong 1.26V)$$