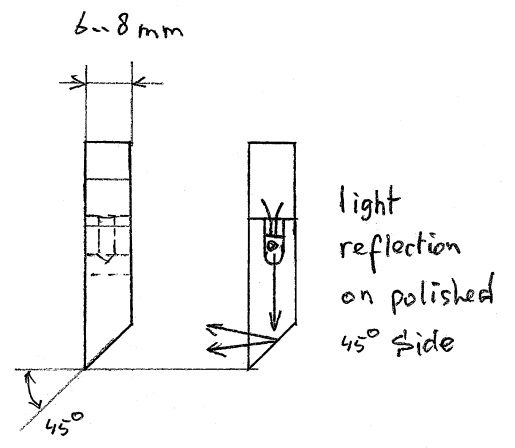
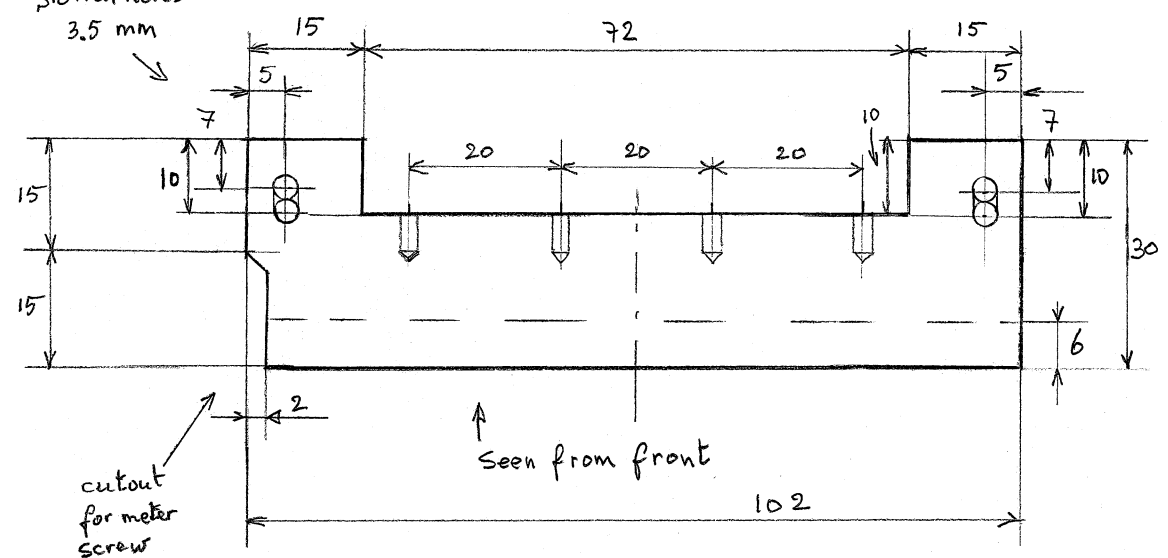


to adjust position;
slotted holes
3.5 mm

4 LED holes → 3.1 to 3.3 mm



- Use two threaded M3 spacers with one or two washers to fix (8 to 9 mm) on LCD-PCB bolts. (92mm apart)
- The PCB acts as a light diffuser
- Use ultrabright 3mm white LED's (max 10mA)

Surrogate backlight for W&G SPM-30	
Plexiglass light guide	
© PE1ABR	12-2013
all dimensions in millimeter	

